

# TLX UV10: installation

## Applications

- Can be used in warm or cold roof constructions
- Suitable for unsupported and supported applications
- May be laid directly over insulation and insulated sarking board in convection-tight roof designs

## Fixing instructions

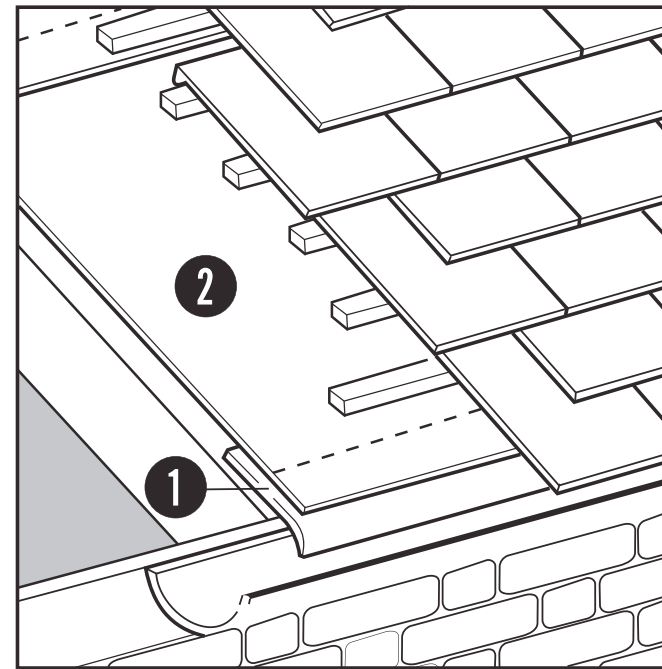
- Install TLX UV10 in accordance with the following instructions and with the relevant standards, for example
  - BS 5534: 2003 Code of Practice for slating and Tiling, Part 1. Design.
  - BS 5250 : 2011 Code of Practice for the control of condensation in Buildings.

- Lap TLX UV10 according to the following tables:  
Minimum overlap requirements:

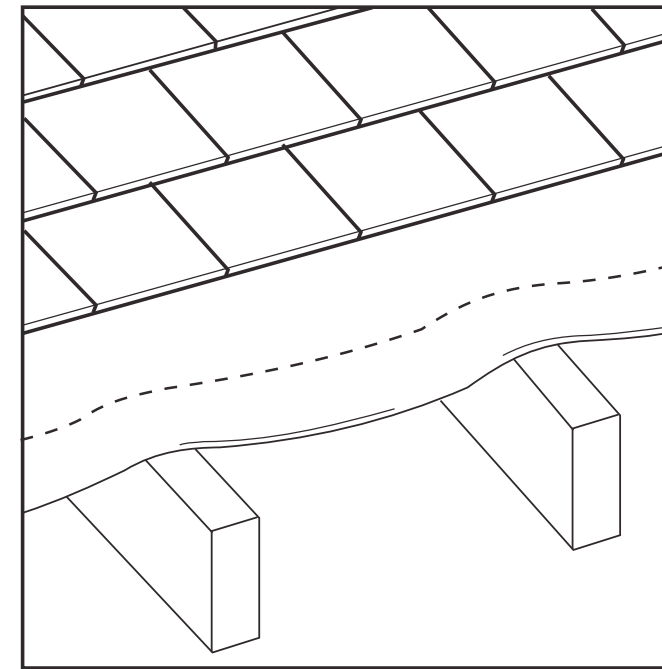
Roof Pitch	Horizontal Lap mm		Vertical Lap mm
	partially supported	fully supported	
12.5° - 14°	225	150	100
15° - 30°	150	100	100
34° +	100	75	100

<b>hips</b> mm	150
<b>valleys</b> mm	300
<b>standard ridges</b> mm	150 on either side of the apex

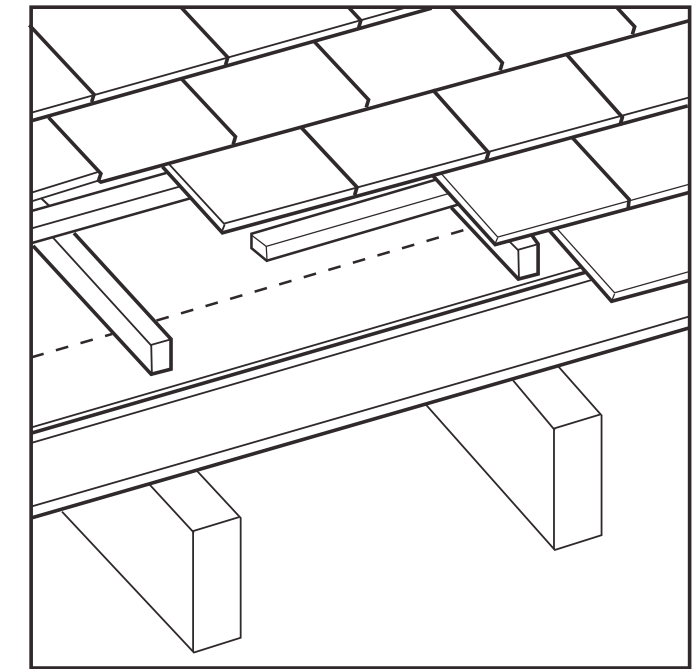
- Lay minimum 600mm wide strips of TLX UV10 or protective sheets along hips & valleys before overlaying with TLX UV10 roof underlay.



- At eaves, use an eaves guard or eaves sheet extending into the gutter then overlap the eaves guard with the first run of TLX UV10, printed side uppermost (1)
- Lay TLX UV10 parallel to eaves, starting at the eaves and working up the slope of the roof (2).



- For unsupported applications, allow TLX UV10 to drape slightly (at least 10mm) between the rafters to allow water run-off.



- Where TLX UV10 is installed over a fully supported system, fix counter battens, at least 25mm thick, over the underlay and through to the rafters using corrosion-resistant clout nails. Fix tile battens to the counter battens so that there is an uninterrupted air space between the underlay and the roof tiles or slates.

## Limitation advice

- Laid directly over insulation, a vapour control layer may be required on the warm side of the insulation. Refer to BS5250 : 2011 British Standard Code of Practice for the Control of Condensation in Buildings.
- Do not bring into contact with solvents or undried timber preservatives.
- Avoid excessive use of nails and clamps.
- Damaged areas should be covered with a second layer of TLX UV10.
- Counter-battening is recommended.
- TLX UV10 may be used as a temporary waterproof covering for up to 2 weeks. However, like all polymer membranes, sunlight will cause gradual deterioration and it is good practice to cover with tiles or slates at the earliest opportunity. In periods of intense sunlight, protect the roof underlay with a temporary cover prior to tiling or slating.

## Further information

Please contact your manufacturer (address on front of label). We will be pleased to answer your questions or supply a Health & Safety Data Sheet.

# TLX UV15: installation

## Applications

- Can be used in warm or cold roof constructions
- Suitable for unsupported and supported applications
- May be laid directly over insulation and insulated sarking board in convection-tight roof designs

## Fixing instructions

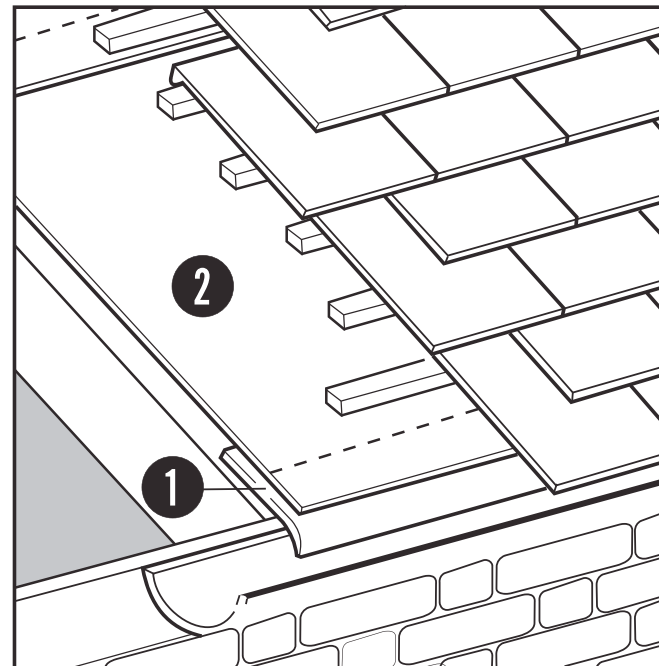
- Install TLX UV15 in accordance with the following instructions and with the relevant standards, for example
  - BS 5534: 2003 Code of Practice for slating and Tiling, Part 1. Design.
  - BS 5250 : 2011 Code of Practice for the control of condensation in Buildings.

- Lap TLX UV15 according to the following tables:  
Minimum overlap requirements:

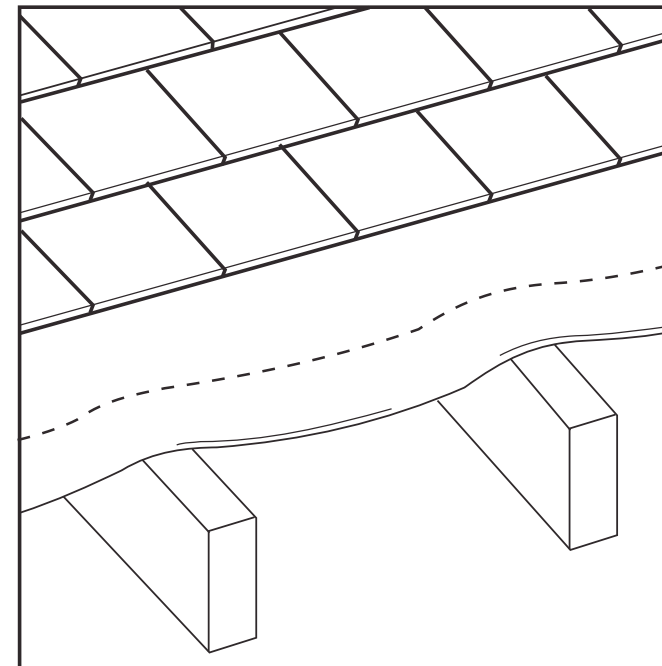
Roof Pitch	Horizontal Lap mm		Vertical Lap mm
	partially supported	fully supported	
12.5° - 14°	225	150	100
15° - 30°	150	100	100
34° +	100	75	100

hips mm	150
valleys mm	300
standard ridges mm	150 on either side of the apex

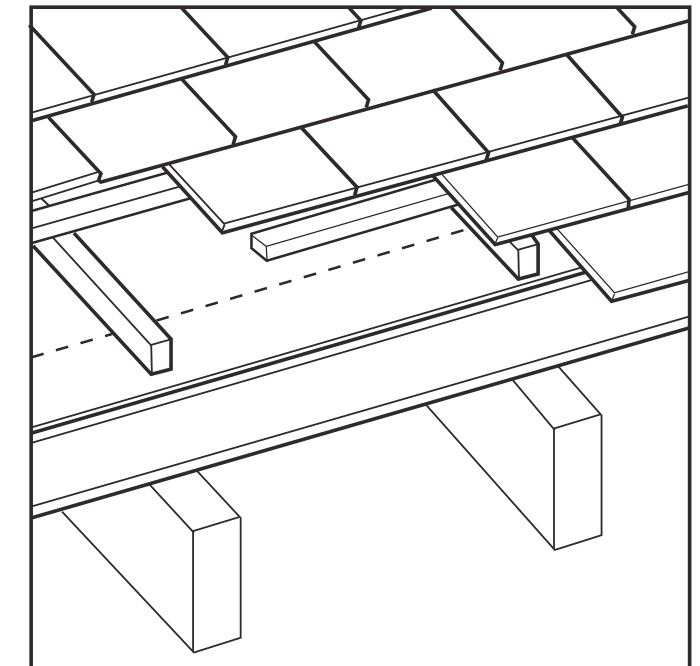
- Lay minimum 600mm wide strips of TLX UV15 or protective sheets along hips & valleys before overlaying with TLX UV15 roof underlay.



- At eaves, use an eaves guard or eaves sheet extending into the gutter then overlap the eaves guard with the first run of TLX UV15, printed side uppermost (1)
- Lay TLX UV15 parallel to eaves, starting at the eaves and working up the slope of the roof (2).



- For unsupported applications, allow TLX UV15 to drape slightly (at least 10mm) between the rafters to allow water run-off.



- Where TLX UV15 is installed over a fully supported system, fix counter battens, at least 25mm thick, over the underlay and through to the rafters using corrosion-resistant clout nails. Fix tile battens to the counter battens so that there is an uninterrupted air space between the underlay and the roof tiles or slates.

## Limitation advice

- Laid directly over insulation, a vapour control layer may be required on the warm side of the insulation. Refer to BS5250 : 2011 British Standard Code of Practice for the Control of Condensation in Buildings.
- Do not bring into contact with solvents or undried timber preservatives.
- Avoid excessive use of nails and clamps.
- Damaged areas should be covered with a second layer of TLX UV15.
- Counter-battening is recommended.
- TLX UV15 may be used as a temporary waterproof covering for up to 2 months. However, like all polymer membranes, sunlight will cause gradual deterioration and it is good practice to cover with tiles or slates at the earliest opportunity. In periods of intense sunlight, protect the roof underlay with a temporary cover prior to tiling or slating.

## Further information

Please contact your manufacturer (address on front of label). We will be pleased to answer your questions or supply a Health & Safety Data Sheet.

# TLX UV25: installation

## Applications

- Can be used in warm or cold roof constructions
- Suitable for unsupported and supported applications
- May be laid directly over insulation and insulated sarking board in convection-tight roof designs

## Fixing instructions

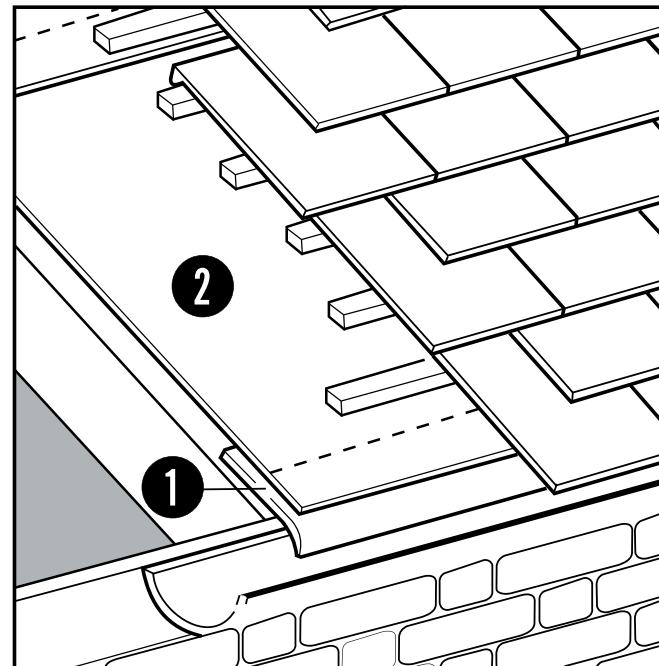
- Install TLX UV25 in accordance with the following instructions and with the relevant standards, for example
  - BS 5534: 2003 Code of Practice for slating and Tiling, Part 1. Design.
  - BS 5250 : 2011 Code of Practice for the control of condensation in Buildings.

- Lap TLX UV25 according to the following tables:  
Minimum overlap requirements:

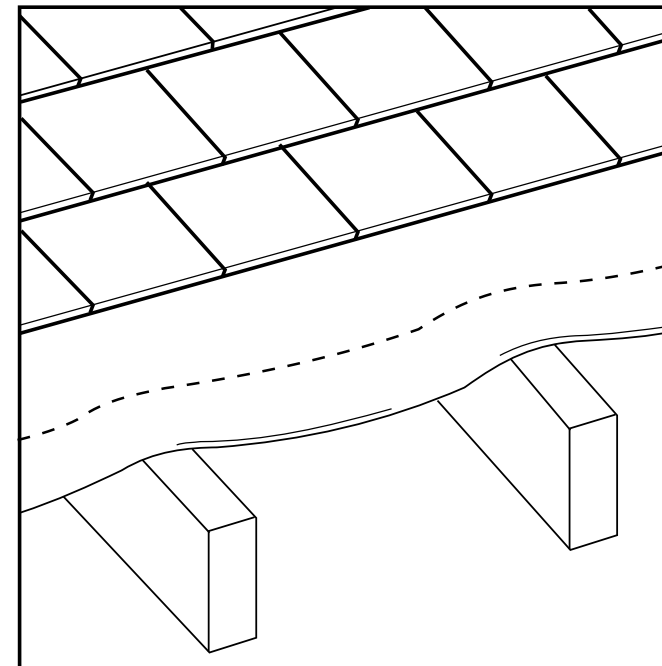
Roof Pitch	Horizontal Lap mm		Vertical Lap mm
	partially supported	fully supported	
12.5° - 14°	225	150	100
15° - 30°	150	100	100
34° +	100	75	100

<b>hips mm</b>	150
<b>valleys mm</b>	300
<b>standard ridges mm</b>	150 on either side of the apex

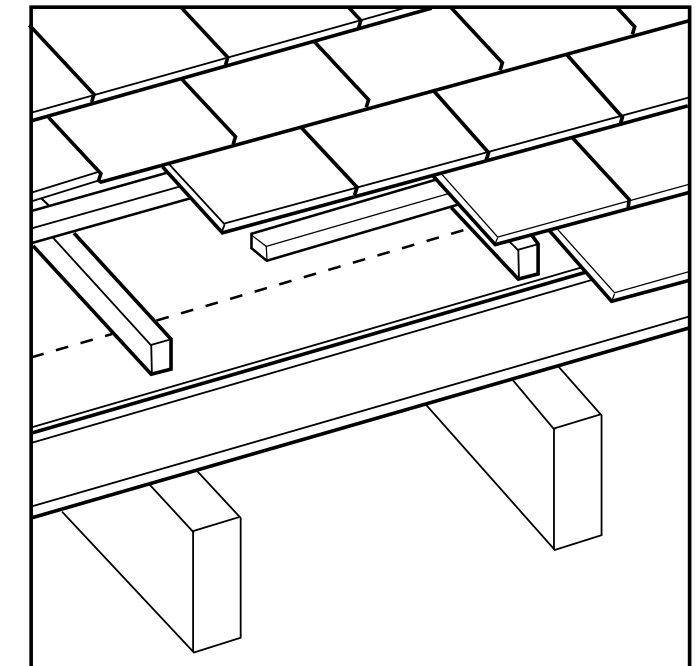
- Lay minimum 600mm wide strips of TLX UV25 or protective sheets along hips & valleys before overlaying with TLX UV25 roof underlay.



- At eaves, use an eaves guard or eaves sheet extending into the gutter then overlap the eaves guard with the first run of TLX UV25, printed side uppermost (1)
- Lay TLX UV25 parallel to eaves, starting at the eaves and working up the slope of the roof (2).



- For unsupported applications, allow TLX UV25 to drape slightly (at least 10mm) between the rafters to allow water run-off.



- Where TLX UV25 is installed over a fully supported system, fix counter battens, at least 25mm thick, over the underlay and through to the rafters using corrosion-resistant clout nails. Fix tile battens to the counter battens so that there is an uninterrupted air space between the underlay and the roof tiles or slates.

## Limitation advice

- Laid directly over insulation, a vapour control layer may be required on the warm side of the insulation. Refer to BS5250 : 2011 British Standard Code of Practice for the Control of Condensation in Buildings.
- Do not bring into contact with solvents or undried timber preservatives.
- Avoid excessive use of nails and clamps.
- Damaged areas should be covered with a second layer of TLX UV25.
- Counter-battening is recommended.
- TLX UV25 may be used as a temporary waterproof covering for up to 2 months. However, like all polymer membranes, sunlight will cause gradual deterioration and it is good practice to cover with tiles or slates at the earliest opportunity. In periods of intense sunlight, protect the roof underlay with a temporary cover prior to tiling or slating.

## Further information

Please contact your manufacturer (address on front of label). We will be pleased to answer your questions or supply a Health & Safety Data Sheet.

\* Guarantee subject to terms & conditions, copies of which are available from Web Dynamics Ltd.